



**SWITCH CAP**  
P/N:SC704



**Materials** PVC

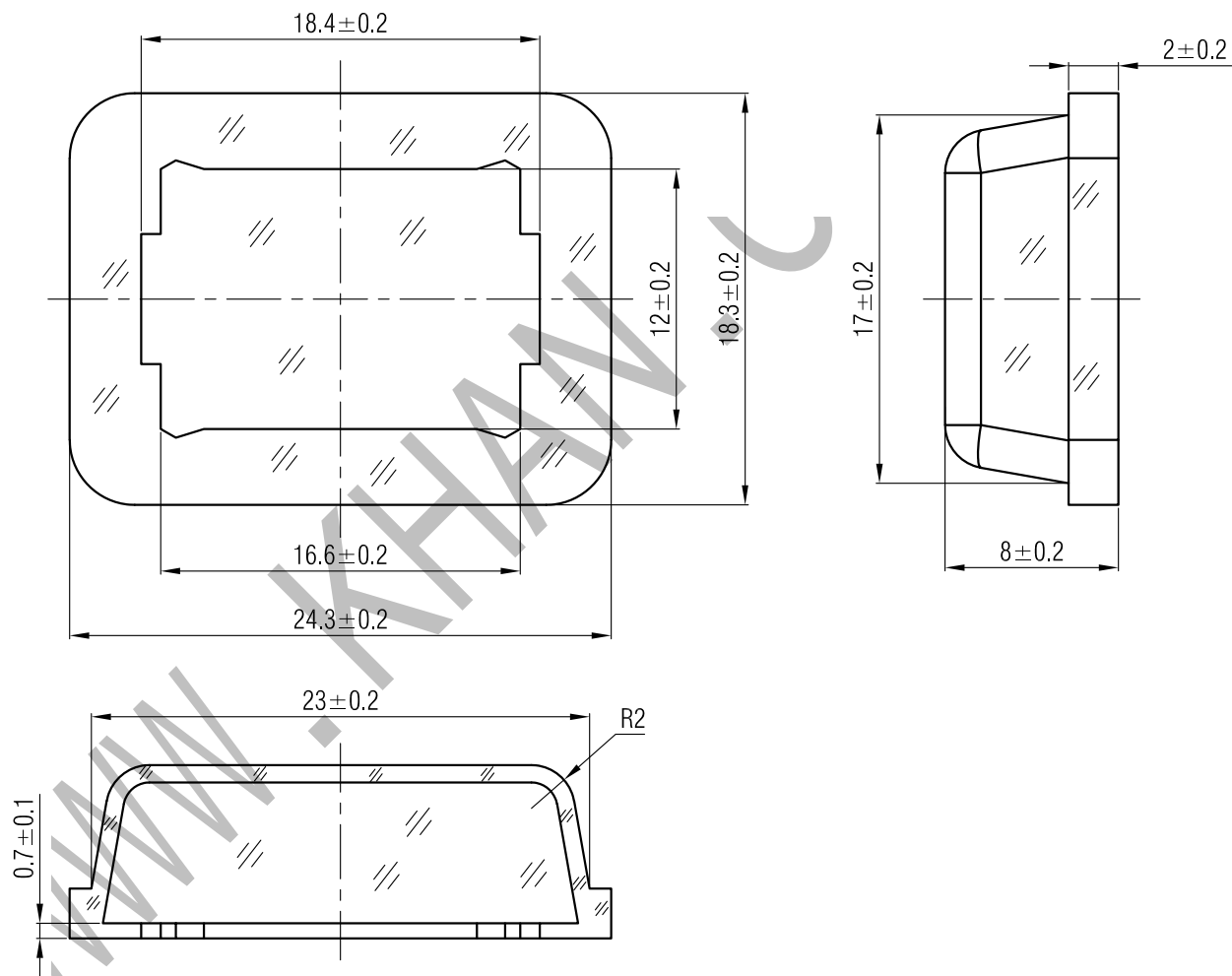
**Color** Transparent  
(OEM AVAILABLE)

**Packaging**

Bulk Package

Inner Package: Plastic bag

Outer Package: Carton



**WENZHOU KHAN ELECTRONIC**

VERSION		PROJECTION	DESIGN	Shuqing Zhu
KH14FE22E			DRAWN	Wei Lin
SCALE	SIZE	 Dimensions are shown:mm(inches)	APPROVAL	Johan Xu
3:1	A4		2021.05.08	